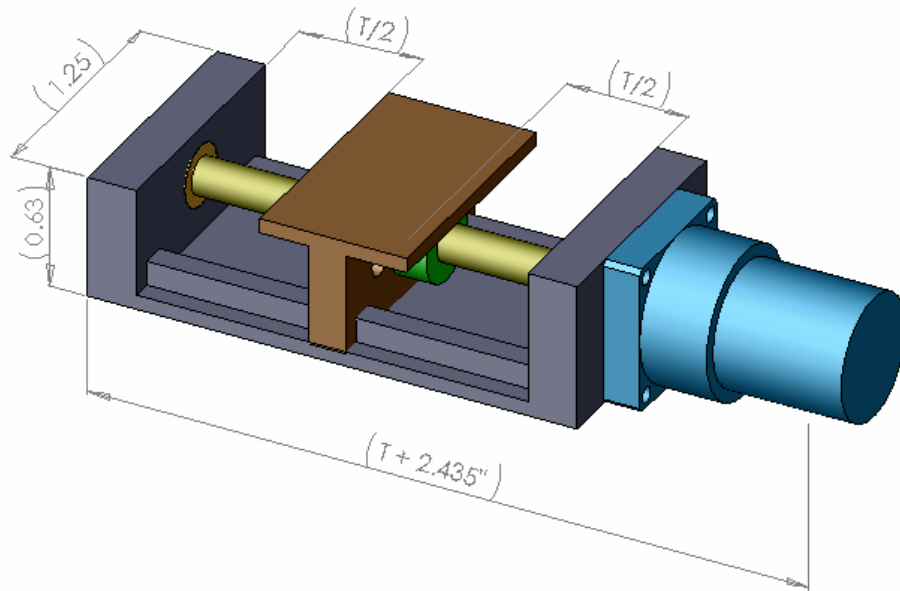


## Translation Stage Specifications



Technical Data	Model 1	Model 2
Travel range (mm)	0-6	0-12
Design resolution ( $\mu\text{m}$ )	0.3	0.3
Min. incremental motion ( $\mu\text{m}$ )	0.5	0.5
Pitch ( $\perp Y$ ; arc-s)	$< \pm 15$	$< \pm 10$
Yaw ( $\perp Z$ ; arc-s)	$< \pm 20$	$< \pm 20$
Max. velocity (mm/s)	100	100
Max. normal load capacity (N)	200	200
Max. push/pull force (N)	20	20
Linear encoder resolution ( $\mu\text{m}$ )	0.5	0.5
Ballscrew pitch (mm)	2	2
Nominal motor power (W)	6	6
Motor voltage range (V)	0-5	0-5
Weight (g)	780*	780*
Body material	6061 Al	6061 Al

\* add 1.99 cm in length and 30 g in weight for the zero hold brake